

THE
GRYPHON

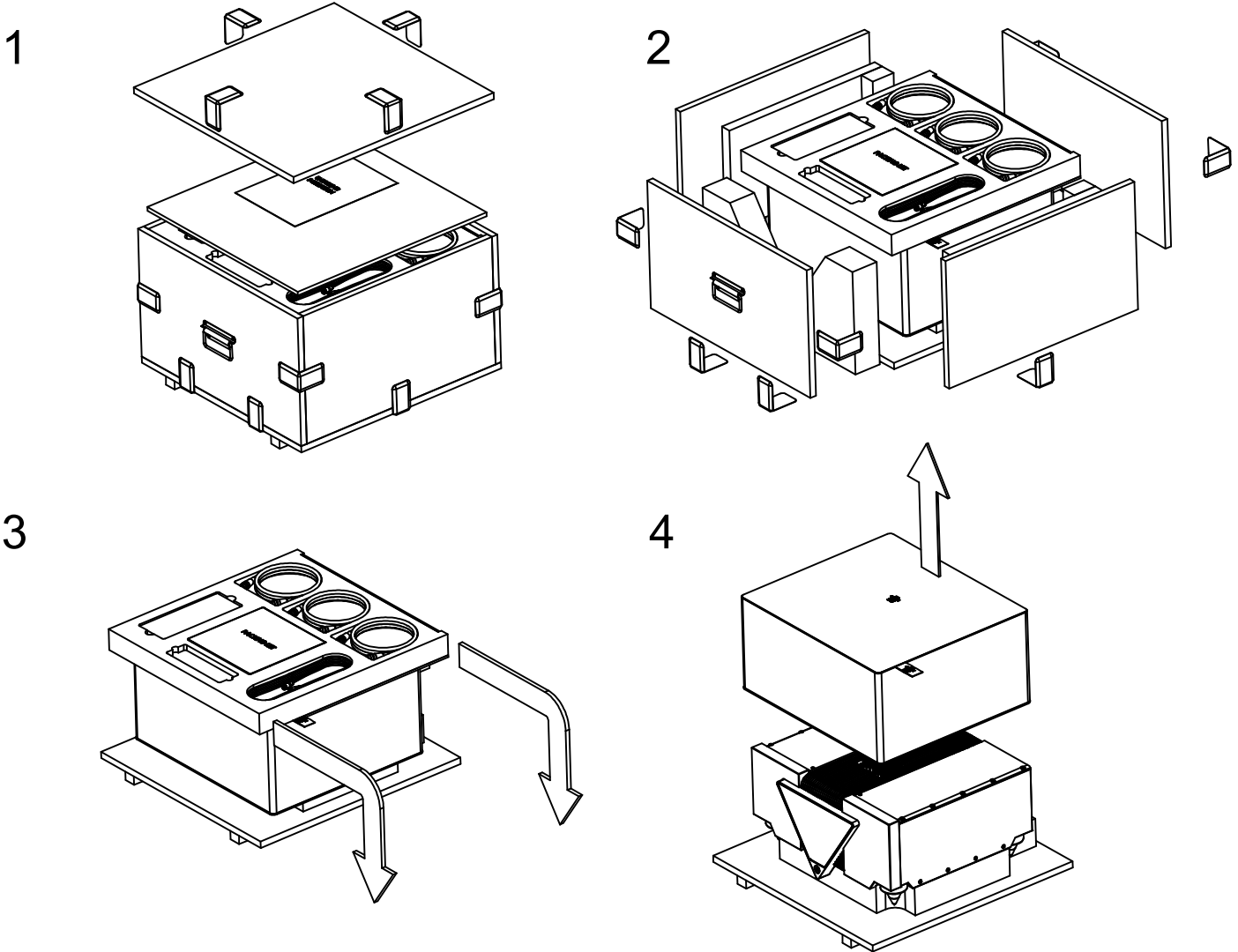


THE GRYPHON
COMMANDER
PREAMPLIFIER

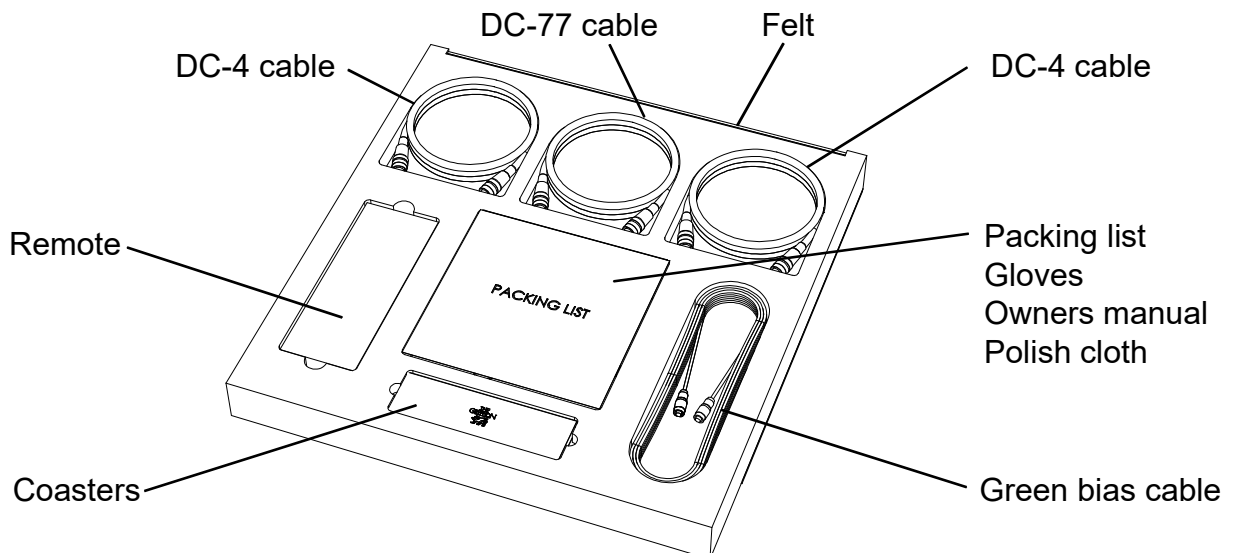
UNPACKING AND SET-UP
INSTRUCTIONS

PLEASE READ THESE INSTRUCTIONS FIRST

UNPACKING

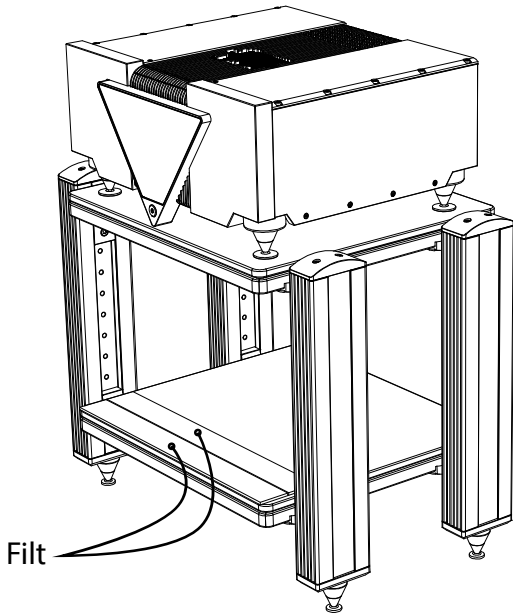


ACCESSORIES

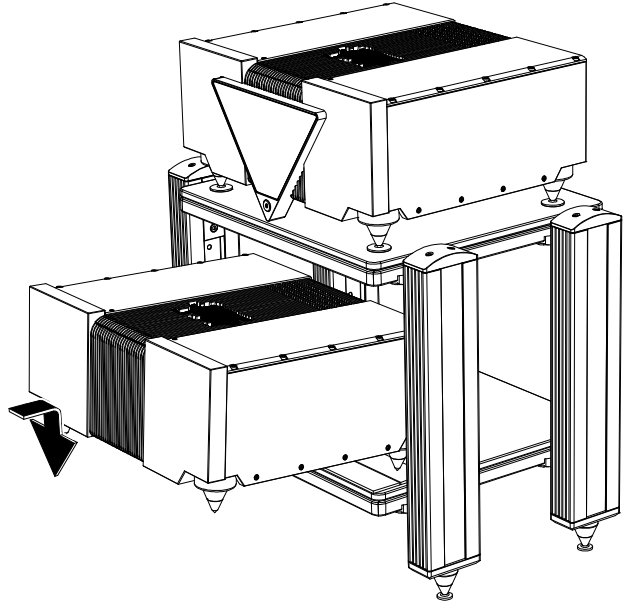


PLACING IN A RACK

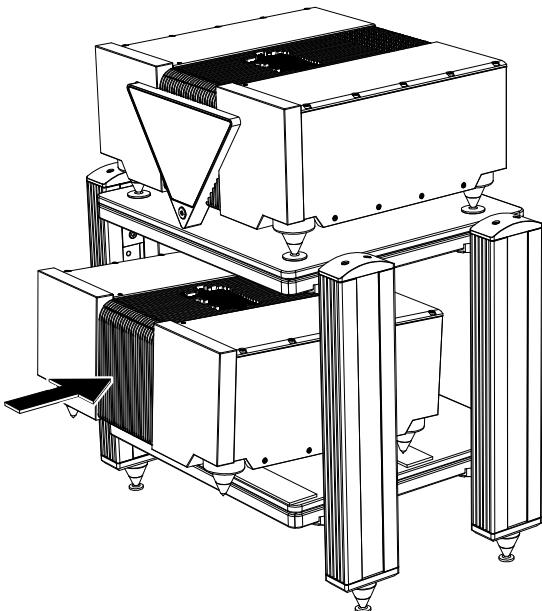
1. Place the two pieces of felt on the front edge of the shelf.



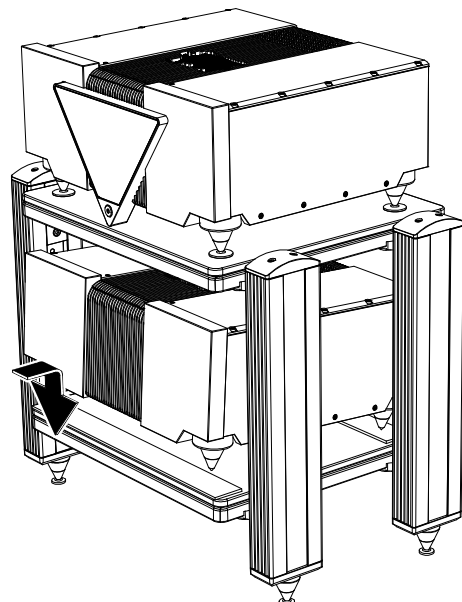
2. Put down the rear end on the most rear piece of felt.



3. Slide the unit in.

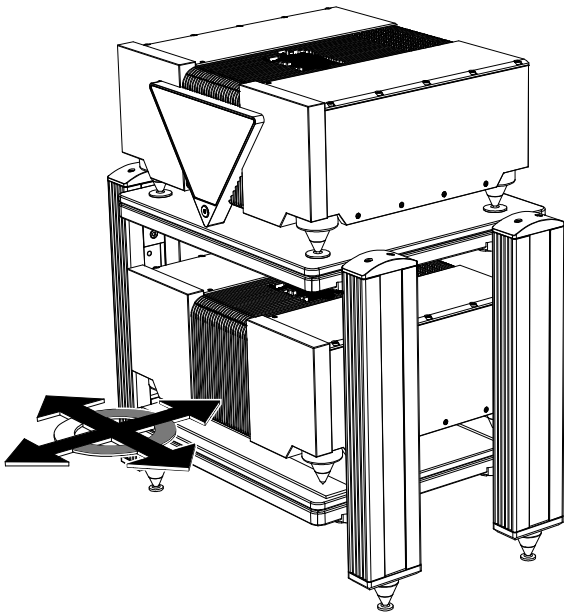


4. Put down the front end spikes at the felt.

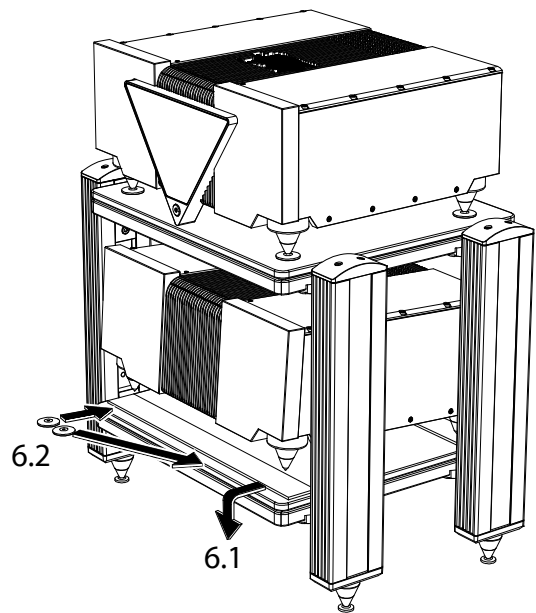


PLACING IN A RACK

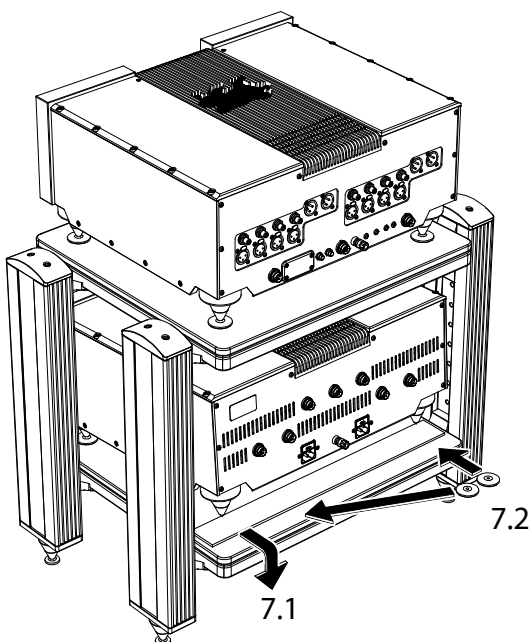
5.
Align the unit as desired.



6.
Carefully lift and replace the felt with the coasters.



7.
Carefully lift and replace the felt with the coasters.



8.
Please refer to owners' manual for electrical set-up.

